

# FLAX

WATERFREE URINAL  
VITREOUS CHINA



# FALCON

WATERFREE TECHNOLOGIES



Patented, sealed cartridge uses a biodegradable sealant liquid to control odors. 100% compatible with all Falcon Waterfree urinals, worldwide



Falcon Waterfree urinals reduce water and sewer costs, maintenance and repair bills, and create more hygienic, odour-free restrooms. A patented, sealed cartridge eliminates the need for water, conserving an average of 150.000 Liters per urinal each year.

With waterfree urinals, water does not have to be pumped to or from the urinal. This saves energy, which in turn reduces carbon dioxide emissions associated with energy production - emissions that would otherwise contribute to global warming.

Purchasing and installing Falcon Waterfree urinals is less expensive than manual and automatic flush units because flush valves and associated piping are not required. Maintenance costs and vandalism problems associated with flush valves are also eliminated.

## FEATURES

- Touch-free operation
- Uses no water
- Mechanical-free design
- Patented, sealed locking cartridge
- Maintenance-free cartridge
- Smooth, non-porous surfaces
- Vitreous china bowl

## BENEFITS

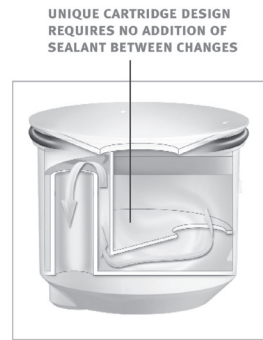
- Improved hygiene and safety
- Reduced water and sewer costs
- No costly flush valve or sensor repairs
- Odour-free and vandal proof
- No need to replenish sealant between changes
- Minimal care and easy cleaning
- Unsurpassed durability



DIAGRAMS ILLUSTRATE HOW LIQUID SEALANT FLOATS ON WATER...



...AND HOW URINE PASSES THROUGH IT, BECOMING...



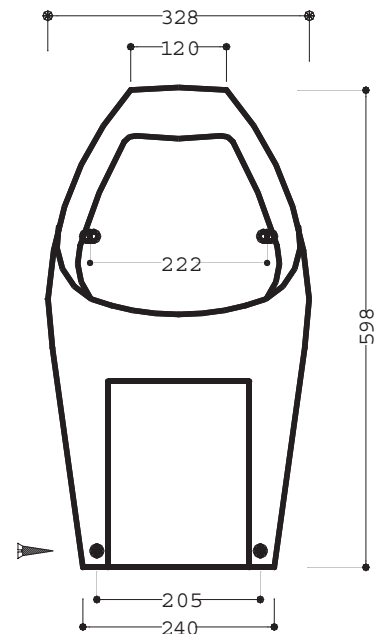
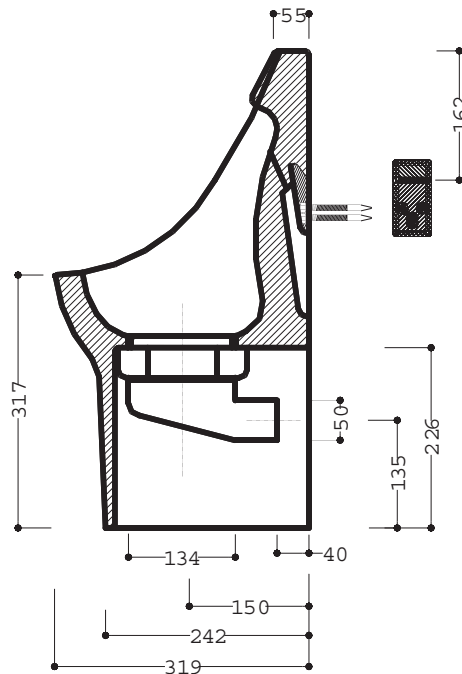
...SECURELY ISOLATED FROM THE RESTROOM, WHILE PROCEEDING TO THE DRAIN

### REPLACEMENT CARTRIDGE KITS INCLUDE

- Sealed cartridge
- Diverter shield
- Plastic installation key
- Pre-measured liquid sealant pack
- Disposal bag
- Plastic gloves
- Instruction sheet

### ALSO AVAILABLE

- Installation hardware
- Drain line couplings



These dimensions are for informational purposes only. For specific rough-in dimensions, please refer to specification sheets available on our web site or contact us directly.



[www.falconwaterfree.com](http://www.falconwaterfree.com)

### AUSTRALIAN WATERLESS PTY LTD

PO Box 303-Banyo-Queensland-4014

e-mail: [sales@waterless-urinals.com](mailto:sales@waterless-urinals.com)

Phone: 0438 167 311

[www.waterless-urinals.com](http://www.waterless-urinals.com)

### SOUTH PACIFIC WATERLESS LTD

8E Vega Place, Mairangi Bay, Auckland.

Phone: 0800 998 000

[sales@waterless.co.nz](mailto:sales@waterless.co.nz)

[www.waterless.co.nz](http://www.waterless.co.nz)