

Restroom Evolution



The Worldwide Leader in Waterfree Technology.

POWERFUL TECHNOLOGY. THE FALCON WATERFREE SYSTEM.



The Boronia

For decades the manual flush urinal has been a standard fixture in men's restrooms. But times have changed. Today, concerns about economics, hygiene, and the availability of water demand a better alternative.



The Aridian

In recent years a growing reluctance to touch-handles in rest rooms spurred demand for touch-free, automatic flush urinals. While this technology helps with hygiene, it doesn't address the more fundamental cost and water issues.



The F-1000

Finally, and thankfully, there's a better idea. The Falcon Waterfree urinal system meets all the demands. They save time and money, conserve precious water supplies, and improve restroom hygiene. Their lower installation cost makes them an obvious choice for new construction and renovations. And their cost efficiency justifies the immediate replacement of water-wasting flush urinals in existing installations.

The following chart provides a convenient, one-stop comparison of all three technologies:

A Point-by-Point Comparison of Urinal Technologies

Point of comparison	Manual-Flush Units
Initial product cost	Base for comparison
Installation cost	High due to plumbing of water supply and valve
System complexity	Water supply piping, valve, handle, drain
Flushing reliability	Dependent on users to operate handle. Many will not.
Fresh water consumed	151,000 liters/year typical (or less due to missed flushes)
Discharge to sewer	151,000 liters/year of water, plus actual volume of urine
Potential for odor problems	Highest, due to missed flushes and chemical reaction between urine and water
Operating costs	High due to water purchases, sewage treatment costs, and odor control products
Maintenance costs	High due to valve leaks and failures, and pipe scaling from hard water
Susceptibility to vandalism	Highest due to prominent handle and valve
Potential for plumbing emergencies	High due to common incidence of valve sticking open. Continuous flushing can waste thousands of gallons before discovery and create flood if drain is plugged
Environmental impact	Negative due to fresh water consumed, energy required to move water and process water and sewage, and use of de-scaling chemicals, detergent strong cleaners and acid treatment materials

Automatic-Flush Units	Falcon Waterfree System
Highest (often 2X manual cost)	Lowest
Highest (due to electrical sensor in addition to plumbing of water supply and valve)	Lowest-just connect to drain
Water supply piping, valve, electric automated sensor, drain	Replaceable cartridge, drain
Senses body position, often triggers extra flushes	No flushing required
151,000 liters/year typical (or more due to extra flushes)	Zero
151,000 liters/year of water, plus actual volume of urine	Actual volume of urine
High, due to chemical reaction between urine and water	Lowest, since no water is present and urine is completely trapped below the patented sealant liquid
High due to water purchases, sewage treatment costs, and odor control products	Lowest due to lack of water consumption, negligible sewer charges, and no need for odor control products
Highest due to sensor malfunctions in addition to valve leaks and failures, and pipe scaling from hard water	Lowest. Cartridge replacement is quick and easy, maybe 4X per year depending on usage
High, because sensor and valve can still be targeted	Lowest due to complete absence of hardware
High due to sensor failures. Continuous flushing can waste thousands of gallons before discovery and create flood if drain is plugged	Lowest due to complete absence of valve and water supply
Negative due to fresh water consumed, energy required to move water and process water and sewage and use of de-scaling chemicals, detergents, strong cleaners and acid treatment materials	Positive, reduced energy use and reduced, CO2 emissions, conservation of water, and reduced need for harsh cleaners

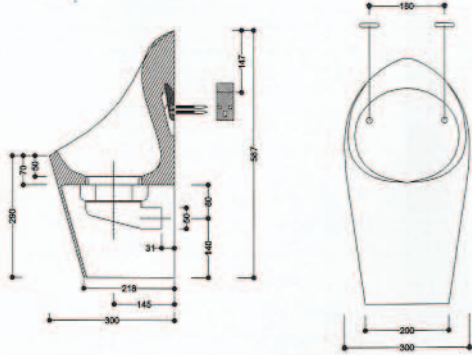


The move to Falcon Waterfree Systems continues

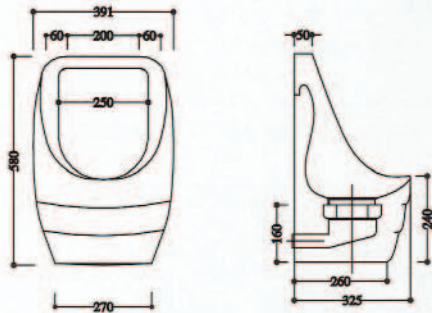
Considering all the advantages noted in the comparison chart, it's no wonder that Falcon waterfree urinals are the obvious choice in new construction and renovations.

What may be surprising is the fact that more and more facilities are replacing still functioning, older technology urinals in existing facilities. Savings in operating and maintenance costs, the opportunity to make a difference environmentally, and our new financing plans are making this one of the easiest decisions you could ever make.

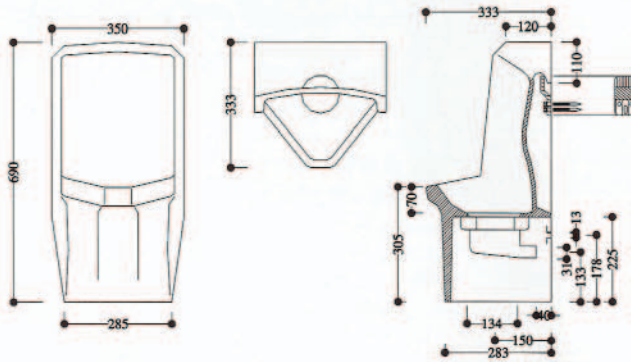
Boronia ST2244



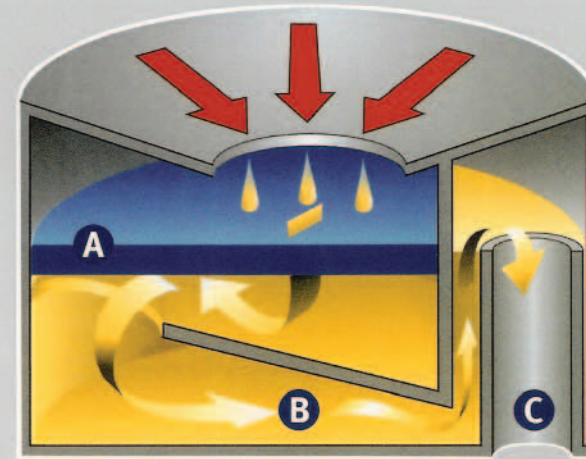
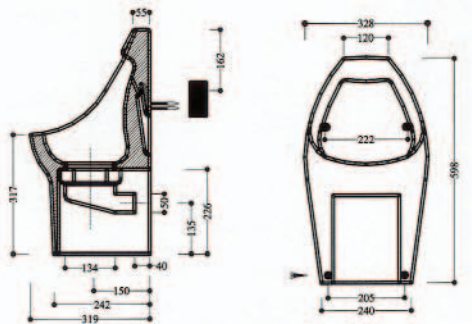
Clematics ST2201



Daphne ST2288



Flax ST2255



The cartridge acts as a funnel, allowing urine to flow through the sealant liquid **A**, preventing any odors from escaping. Next, the cartridge collects sediment **B**, allowing the remaining urine to pass freely down the drain **C**.

How it works

The main component of the Falcon Waterfree System is the cartridge, installed at the base of the urinal. Contained within the cartridge is the sealant liquid. The sealant forms a barrier between open air and urine as it makes its way through the cartridge, sealing all odors within the cartridge. Specifically designed to collect uric sediment, the cartridge allows the remaining urine, which is non-corrosive and free of hard water, to flow into the drainage pipe. All that remains is an odor-free environment, clean pipes and absolutely no water waste. The only maintenance required is an easy change of the cartridge, performed every 7,000 uses or typically two to four times per year.

Distributed by:

CREDESCENCE INTERNATIONAL PTE LTD

Email: sales@credence.com.sg

Web: www.credence.com.sg

Sampling of Falcon Installations Around the World

Airports

Ben Gurion Airport
Colorado Springs Airport
Heathrow Airport
Shanghai Pudong Airport
Sky Harbor Airport

Arenas/Stadiums

Pro Player Stadium
Rose Bowl
St. Petersburg Times Forum

Convention Centers

Miami Convention Center
Pasadena Civic Auditorium
Phoenix Civic Plaza
Olympic Auditorium
Seattle Center - Opera House

Corporations

American Express
Boeing
Daimler Chrysler
Ford Motor Co.
General Motors
IBM
Intel McDonald's
Samsung
Toyota

Hospitals

Kaiser-Permanente Hospitals

Hotels

Hilton Hotels
Holiday Inns
Sheraton Hotels
Tropicana Hotel

Recreation Facilities

Disney World
Everglades National Park
Glacier National Park
Golden Gate national Recreation Area
Grand Canyon National Park
Legoland
Los Angeles Zoo
San Diego Zoo
Sea World
Stowe Mountain Ski Resort
Taj Mahal
Trivoli Gardens
Yosemite National Park

School Districts

Corona-Norco Unified School District
Santa Fe Public Schools
Socorro Independent School District

Theaters

Orpheum Theatre
Phoenix Civic Plaza

Universities/Colleges

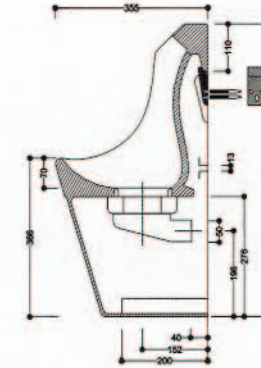
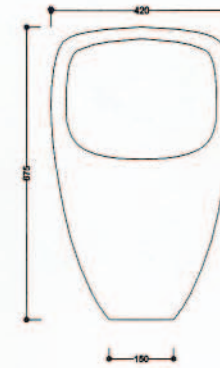
American University
Dusseldorf University
Indiana University
Michigan State University
Pennsylvania State University
Seattle University
University of Hamburg
University of North Carolina
University of Washington
University of California, Santa Barbara
U.S. Naval Academy

U.S. Federal Government

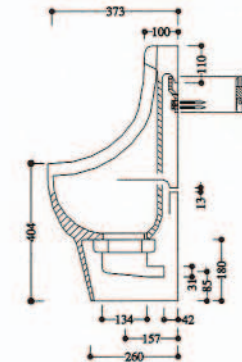
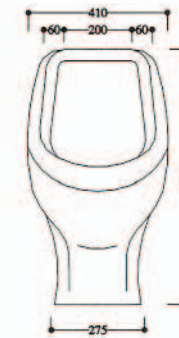
NASA
U.S. Army
U.S. Air Force
U.S. Navy
U.S. Coast Guard



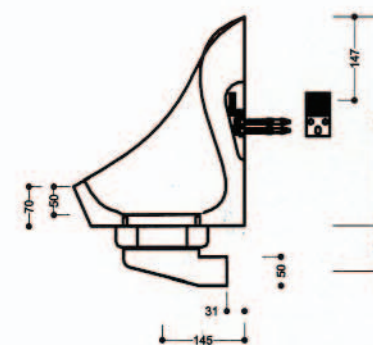
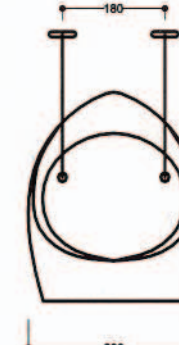
Layender ST2222



Petunia ST2299



Geranium ST2200



Distributed by:

CREDESCENCE INTERNATIONAL PTE LTD

Email: sales@credence.com.sg

Web: www.credence.com.sg



©Australian Waterless PTY Ltd
Australia 1800 351359.

©South Pacific Waterless
Auckland, New Zealand
New Zealand 0800 99 8000

WATER

LESS

 **FALCON**
WATERFREE TECHNOLOGIES